



**REMOTE WATER FLOW
MODULATING VALVE**



VW15

MODULATING ONE-PIECE, REDUCED PORT, 2-WAY, ELECTRICALLY ACTUATED WATER VALVE DESIGNED FOR USE IN ON/OFF AND MODULATING DOMESTIC WATER SUPPLY SYSTEMS

OVERALL VIEW



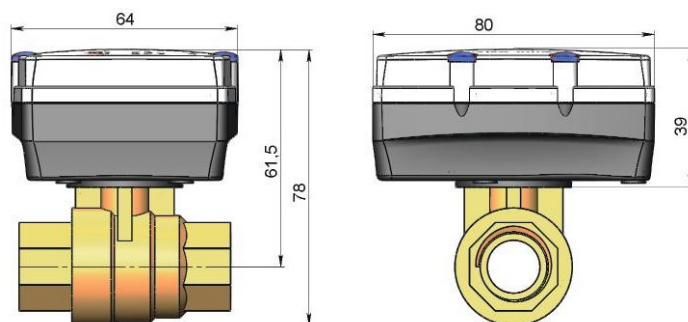
TECHNICAL SPECIFICATIONS

| | |
|--|------------------------------|
| Type | 2 way, modulating |
| Pipe diameter | DN 15 DN 20 DN 25 |
| Port | Reduced port |
| Voltage supply | Lithium battery |
| Power consumption | 0.1 W |
| Torque | ≤1.5 N×m |
| Cycle time | 20 seconds per 90° rotation |
| Frequency | 50 (60) Hz |
| Temperature class | T50...T70 |
| Ambient temperature | 5...55°C |
| Operation temperature range | 0.1...+70°C |
| Storage and transportation temperature | -20...+60°C |
| Service life | >1000 times |
| Mean lifetime, not less than | 16 years |
| IP rating | IP68 |
| Pressure rating | PN16 |
| Dimensions, L×W×H | 64×80×78 mm |
| Interfaces | BLE |
| Indicators | 1 multi-purpose bicolour LED |
| Motor protection switches | Limiting |
| Manual override | Not available |

FUNCTIONAL CHARACTERISTICS

- Managing water supply remotely, via associated water meter:
 - › Stopping the water flow for a specified period of time;
 - › Modulating the flow;
- Durable and cost efficient
- BLE 5.0 to control the water valve via the associated meter
- Battery lifetime up to 16 years

VALVE DIMENSIONS AND INSTALLATION



The valve should always be installed in pair with the associated water meter according to flow direction, downstream of the meter on the meter outlet.

DESIGN FEATURES

- 1-piece, compact and lightweight body
- Easy to mount/dismount
- Nontoxic materials, eco-friendly and durable composite (suitable for drinking water):
 - › Brass for the valve part
 - › Polycarbonate protective housing

CONTACTS

36 Dragomirna Str., Kishinev MD-2008, Republic of Moldova

Tel/fax : +373 (22) 930 012

E-mail : info@addgrup.com