

CUSTOMER INTERFACE UNIT



Datasheet



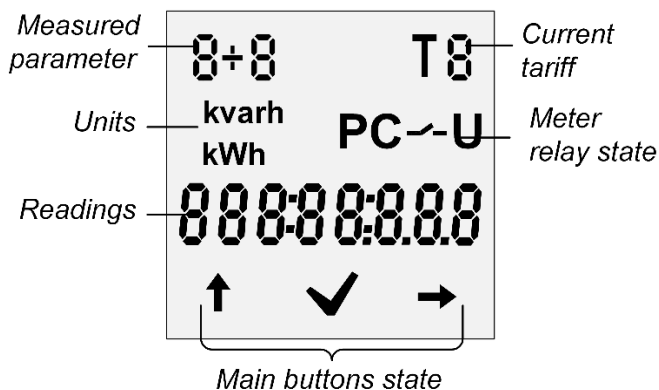
CIU8.X-X-X

CUSTOMER INTERFACE UNIT WITH RF COMMUNICATION CHANNEL

OVERALL VIEW



DISPLAY INDICATIONS



Design:

- Light-tone non-flammable polycarbonate
- IP 20 protection against water and dust
- Dimensions: 199x61x20 mm
- Weight: 0.25 kg



Communication:

- RF interface
- Secure and encrypted data exchange with wireless metering devices
- Updated data transmission by request
- Data transmission distance: up to 200 m in the open space
- Can be paired with its associated meter at production or remotely from the HES
- Automatic restoration of communication with paired meter after power loss and recovery
- External antenna

LCD

Display:

- 8 digits, h=8.4 mm
- Dimensions: 40x42 mm
- Displaying of:
 - consumption data
 - date and time
 - basic relay state
 - current tariff
- Real time synchronization and displaying of the metering data
- Automatic or manual screen change mode for data displaying
- «Sleep» mode
- Backlight
- Configuring of the parameters to display and schedule of data updating



Keypad:

- 15-digit keypad
- Input of user data to support special modes (STS tokens, display settings)
- Keypad tone
- Placement under movable cover

STS

Prepayment:

- Both credit and prepayment mode support
- Possibility to change mode during meter operation
- Prepayment mode in compliance with Standard Transfer Specification (STS)
- Remote and local modes for tokens input
- Keypad for tokens input



Load control:

- Possibility to reconnect the load using push button, when cause of disconnection is eliminated



Non-volatile memory:

- Storage of the meter details, contact information, parameterization settings



Reserve power supply:

- 2 AAA batteries
- Data exchange support
- Data displaying and backlight support
- Real time clock support
- Keypad support
- Support of energy-saving "sleep" mode
- Battery replacement when in use without CIU cover removal
- Battery lifetime not less than 1 year (if data is requested from the meter once per day)



Built-in clock:

- Real time clock and calendar
- Continuous remote clock synchronization with the associated meter



Parameterization:

- Remote via RF interface