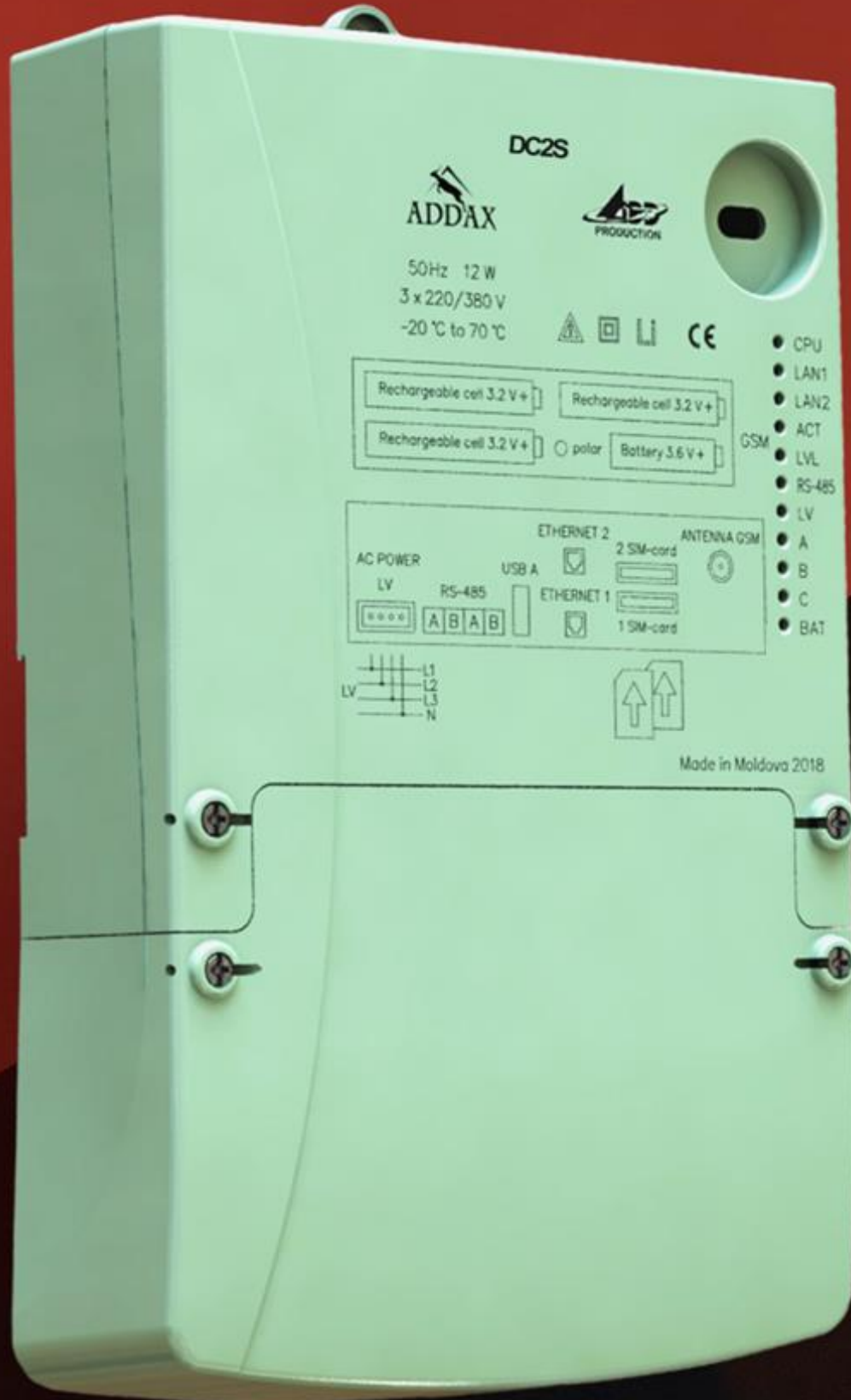


DATA CONCENTRATOR-GATEWAY

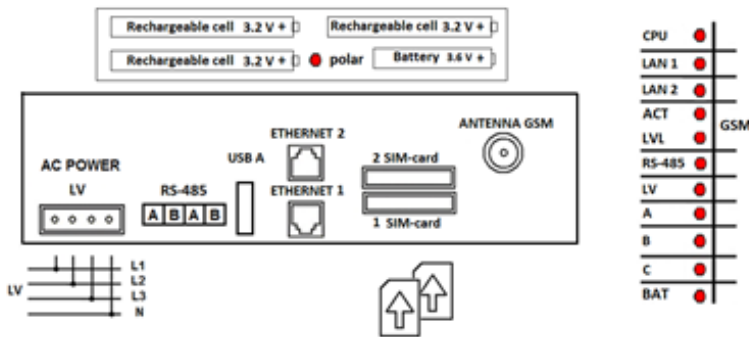


DC2S SMART DATA CONCENTRATOR-GATEWAY FOR AMI SYSTEM

OVERALL VIEW



COMMUNICATION INTERFACES and STATUS LEDs



- Automatic detection, registration and support of end-point devices within the network
- Full 2-way communication
- PLC** Built-in LV PLC modem
- 3GPP modem
- E** 2 Ethernet interfaces
- USB interface
- RS-485 interface
- 2 SIM-cards
- Software update
- DHCP** DHCP support
- Built-in real-time clock
- Scheduled data collection
- IPSec** Secure data transmission
- Data storage in non-volatile memory
- IP54** Protection level
- Optical port
- Backup power supply

FUNCTIONALITY

NETWORK DEVICES SUPPORT

- Automatic detection, registration and support of network devices
- Support of up to 1000 end-point devices

ADDRESSING MODE

- Unicast mode to send and receive data from slave devices
- Broadcast mode to send data to slave devices without obligatory confirmation

DATA COLLECTION

- On request
- By preliminary set schedule
- On event occurred

EVENTS REGISTRATION

- Timestamps
- Installation/deinstallation of slave devices
- Discovery history
- History of firmware updates
- DC logs delivery option

FAN COMMUNICATION

- LV PLC interface:
 - PRIME - ITU-T G.9904 standard compliance
 - G3-PLC - ITU-T G.9903 standard compliance
- RS-485 interface:
 - TIA/EIA 485-A specifications compliance

WAN COMMUNICATION

- Built-in 3GPP modem
 - 2 SIM-cards support
- USB 2.0 full speed host port to connect optional devices
- Ethernet interface:
 - 10/100 BASE-TX Ethernet IEEE 802.3 standard compliance
- Support of VPN-tunneling (IPSec protocol)

CONTROL AND MONITORING

- Control of LV-grid phases presence
- SNMP support
- Control of local devices, connected via Ethernet (e.g. 3rd party modems)

MEMORY

- Long term data storage in non-volatile memory. For example:
 - Billing profile for 1000 meters is stored for 400 days

INDICATION LEDS

- LEDs state is related to the DC working mode and state of its functional components

REAL TIME CLOCK

- Network Time Protocol (NTP) for clock synchronization
- Clock accuracy 0.5s /24h.
- Built-in clock and calendar provide timestamp for data and events
- Clock operation in case of power outages is supported by the backup power supply

PROTECTIVE FEATURES

- Protection seal of manufacturer at the DC basic cover
- Protection seal of power authority at the communication interface cover
- Protection seal at the SIM card compartment

MAINTENANCE INTERFACES

- Optical port
 - IEC 62056-21 standard compliance
 - Data transmission rate up to 115200 baud
- Ethernet interface
 - 10 BASE-T Ethernet IEEE 802.3 standard compliance

CONFIGURING & SOFTWARE UPDATE

- Locally or remotely (via Ethernet or 3GPP channel)
- Web-interface for configuration and update

HOUSING

- Light-tone non-flammable polycarbonate of class V2 (UL94 standard)
- Transparent basic DC cover (material class V2)
- IP 54 protection against water and dust

MOUNTING

- Fastening in three points in vertical position

AVAILABLE ACCESSORIES

- Software for local or remote configuring using PC
- Software for DC logging
- IR optical probe for technological use

BACKUP POWER SUPPLY

- 2 backup power sources placed in a separate compartment closed with a cover:
 - integrated replaceable battery to supply RTC
 - rechargeable batteries.

TECHNICAL SPECIFICATIONS

Reference voltage, Un	3×220/380 V
Reference frequency	50 Hz
Inherent power consumption: • active power, not more	12 W (including communication via PL and 3GPP)
• apparent power, not more	30 VA
Clock accuracy (at 25°C)	≤0.5 s /24 h
Data transmission rate via PLC: • on physical layer, with coding	21-64 kbps (<i>PRIME</i>) 5-33 kbps (<i>G3</i>)
Temperature range (operation, transportation and storage)	-40°C ... +70°C
Relative humidity	up to 95%
Mean total lifetime, not less	20 years
IP rating	IP54
Dimensions	295 x 180 x 60 mm
Mass, not more	1.25 kg

CONTACT US

36, Dragomirna str.,
Kishinev, MD-2008,
Republic of Moldova

Phone: +373 (0) 22 930 012

Fax: +373 (0) 22 930 012

E-mail: info@addgrup.com

